

1mL

2mL

5mL

METAL BOTTLE MOUNT INJECTOR



njphillips™
DATAMARS



- An extremely robust, durable metal device built for reliability.
- Quick release bottle fitting for securing the vaccine pack.
- Highly accurate and versatile.
- Administers a variety of vaccines and able to dispense viscous product.
- Easy to read barrel with permanent markings.
- Superior, comfort push grip handle makes it easy to use over long periods.

Product	Dose Range	Increments	Material	Packaged Dimensions (WxHxD)	Packaging Type	Code	SAP Code	EAN Barcode	UPC Barcode
1ml Metal Bottle Mount Injector	0.1mL - 1mL	0.1mL	Metal	150 x 180 x 71mm	Box	PAS685	850 0000-679	9 323837 011294	8 12465 01237 1
2mL Metal Bottle Mount Injector	0.1mL - 2mL	0.1mL	Metal	150 x 180 x 71mm	Box	PAS687	850 0000-014	9 323837 011164	8 12465 01238 8
5mL Metal Bottle Mount Injector	0.5mL - 5mL	0.5mL	Metal	150 x 180 x 71mm	Box	PAS265	850 0000-015	9 323837 011065	8 12465 01239 5

For more information, email: ahdsinfo@datamars.com or phone toll free (Australia): **1800 247 175**

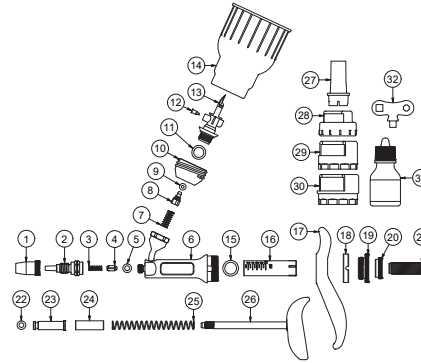
www.njphillips.com

1mL Metal Bottle Mount Injector Parts Breakdown



SPARE PARTS KITS AVAILABLE

Product	Code	SAP Code	Part No.
Major Service Kit	WX749	850 0001-326	3 (x2), 4 (x2), 7, 8, 9, 11, 15, 16, 22, 25
Quick Release Bottle Attachment Kit	WX1775	850 0001-270	7, 8, 9, 10, 11, 12, 13, 27, 28, 29, 30, 31, 32



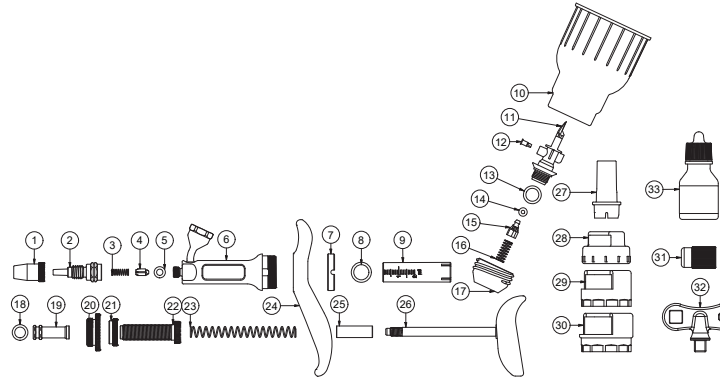
- | | | |
|--------------------------|---------------------------|--------------------------------|
| 1. Needle Nut | 12. Duckbill Valve | 23. 1mL Piston |
| 2. Needle Mount Luer | 13. Bottle Mount Draw-Off | 24. Spring Cover |
| 3. Inlet Valve Spring | 14. Bottle Cradle | 25. Return Spring |
| 4. Valve and Seal | 15. Seal Ring (013-N70) | 26. 1mL - 2mL Pushrod Assembly |
| 5. O-Ring (008-N70) | 16. Cylinder | 27. Needle Cover |
| 6. Barrel Cover Assembly | 17. Finger Grip | 28. 20mm Bottle Mount Cap |
| 7. Spring | 18. Lock Ring | 29. 30mm Bottle Mount Cap |
| 8. Valve | 19. Barrel Lock Nut | 30. 33mm Bottle Mount Cap |
| 9. O-Ring (005-V75) | 20. Lock Nut | 31. Lubricant |
| 10. BA Adapter | 21. Thread Dose Adjuster | 32. Spanner |
| 11. Seal Ring (012-S70) | 22. Seal Ring (008-S70) | |

2mL Metal Bottle Mount Injector Parts Breakdown



SPARE PARTS KITS AVAILABLE

Product	Code	SAP Code	Part No.
Major Service Kit	WX750	850 0000-435	3 (x2), 4 (x2), 5, 8, 9, 13, 14, 15, 16, 18, 23
Minor Service Kit	WX1062	850 0001-145	3 (x2), 4 (x2), 5, 8, 13, 14, 15, 16, 18, 23
Quick Release Bottle Attachment Kit	WX1775	850 0001-270	11, 12, 13, 14, 15, 16, 17, 27, 28, 29, 30, 32, 33



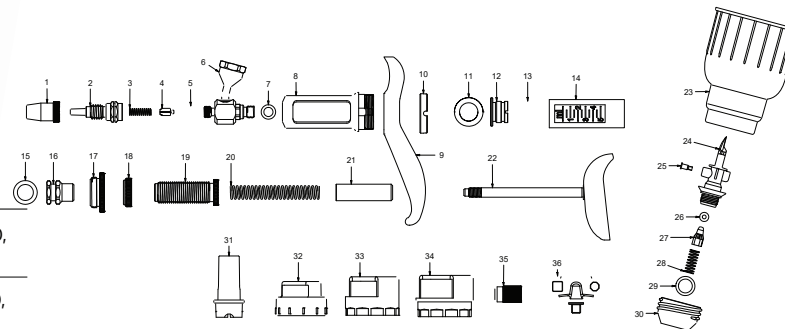
- | | |
|---------------------------|--------------------------------|
| 1. Needle Nut | 18. O-Ring (011-S70) |
| 2. Needle Mount Luer | 19. 2mL Piston |
| 3. Inlet Valve Spring | 20. Barrel Lock Nut |
| 4. Valve and Seal | 21. Lock Nut |
| 5. O-Ring (008-N70) | 22. Thread Dose Adjuster |
| 6. Barrel Cover Assembly | 23. Return Spring |
| 7. Lock Ring Barrel | 24. Finger Grip |
| 8. Seal Ring (013-N70) | 25. Spring Cover |
| 9. 2mL Barrel | 26. 1mL - 2mL Pushrod Assembly |
| 10. Bottle Cradle | 27. Needle Cover |
| 11. Bottle Mount Draw-Off | 28. 20mm Bottle Mount Cap |
| 12. Duckbill Valve | 29. 30mm Bottle Mount Cap |
| 13. Seal Ring (012-S70) | 30. 33mm Bottle Mount Cap |
| 14. O-Ring (005-V75) | 31. Needle Nut |
| 15. Valve | 32. BA Spanner |
| 16. Spring | 33. Lubricant |
| 17. BA Adapter | |

5mL Metal Bottle Mount Injector Parts Breakdown



SPARE PARTS KITS AVAILABLE

Product	Code	SAP Code	Part No.
Major Service Kit	WX764-500	850 0000-231	3, 4 (x2), 5, 11, 13, 14, 15, 20, 26, 27, 28, 29
Minor Service Kit	WX1059	850 0001-141	3, 4 (x2), 5, 7, 11, 13, 15, 20, 26, 27, 28, 29
Quick Release Bottle Attachment Kit	WX1775	850 0001-270	24, 25, 26, 27, 28, 29, 30, 31, 32, 33, 34, 36



- | | |
|--------------------------------|--|
| 1. Needle Nut | 20. Spring |
| 2. Needle Mount Luer | 21. Spring Cover |
| 3. Spring | 22. 1mL - 2mL Pushrod Assembly |
| 4. Valve and Seal | 23. Bottle Cradle |
| 5. O-Ring (008-N70) | 24. Bottle Mount Drawoff |
| 6. Delivery Cage Assembly | 25. Duckbill Valve |
| 7. Seal Ring (010-N70) | 26. O-Ring (005-V75) |
| 8. Barrel Cover | 27. Valve |
| 9. Finger Grip | 28. Spring |
| 10. Lock Ring | 29. Seal Ring (012-S70) |
| 11. Head Seal Washer | 30. BA Adapter |
| 12. Head Seal Fitting | 31. Needle Cover |
| 13. O-Ring (014-N70) | 32. 20mm Bottle Mount Cap |
| 14. 5mL Barrel, Metal Injector | 33. 30mm Bottle Mount Cap |
| 15. O-Ring (111-S70) | 34. 33mm Bottle Mount Cap |
| 16. Piston | 35. Needle Nut |
| 17. Barrel Lock Nut | 36. Needle Hub/Bottle Attachment Spanner |
| 18. Dose Adjuster Lock Nut | |
| 19. Dose Adjuster | |