

15mL

'DIAL-A-DOSE' INJECTOR



njphillips™
DATAMARS

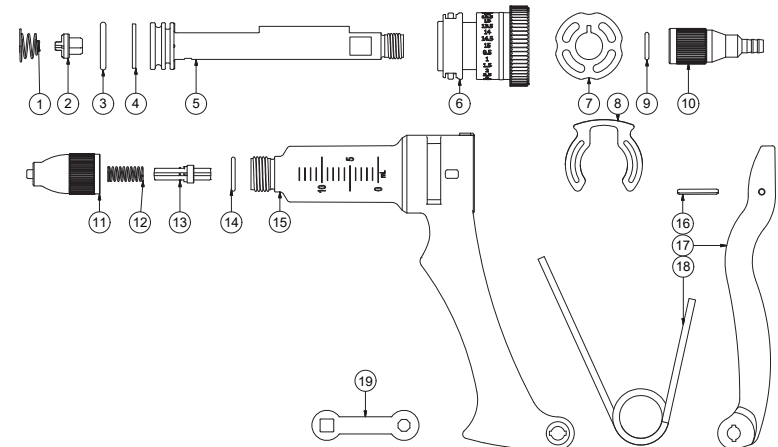




- Cost effective, light weight construction.
- Easy to clean accessible valves.
- Standard inlet fitting 3/16" (4mm).

15mL 'Dial-A-Dose' Injector Parts Breakdown

NO SPARE PARTS KITS AVAILABLE.

- | | |
|--------------------------------|-------------------------|
| 1. Conical Spring | 11. Luer Mount Needle |
| 2. 11 Dia Valve | 12. Valve Spring |
| 3. Seal Ring (115-F70) | 13. Valve |
| 4. Felt Washer | 14. Seal Ring (014-S70) |
| 5. 15mL Fixed Pushrod | 15. 15mL Handle |
| 6. 15mL 'Dial-A-Dose' Adjuster | 16. Pin Roll Spring |
| 7. Pushrod Guide | 17. Lever |
| 8. Retaining Clip | 18. Return Spring |
| 9. Seal Ring (012-S70) | 19. Needle Hub Spanner |
| 10. Inlet Adapter | |



Product	Dose Range	Increments	Material	Packaged Dimensions (WxHxD)	Packaging Type	Code	SAP Code	EAN Barcode	UPC Barcode
15mL 'Dial-A-Dose' Injector	0.5mL - 15mL	0.5mL	Plastic	250 x 270 x 40mm	Headercard & bag	PAS1263	850 0000-648	 9 323837 013304	 8 12465 01268 5

For more information, email: ahdsinfo@datamars.com or phone toll free (Australia): **1800 247 175**

www.njphillips.com